



Double Ridged Horn Antenna

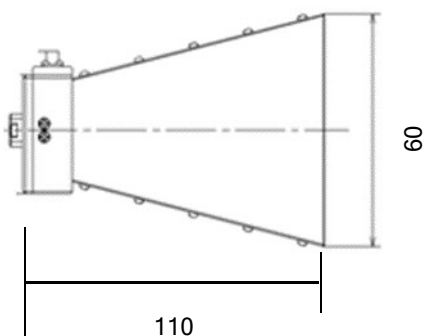
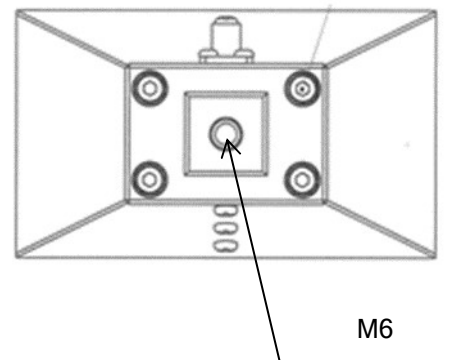
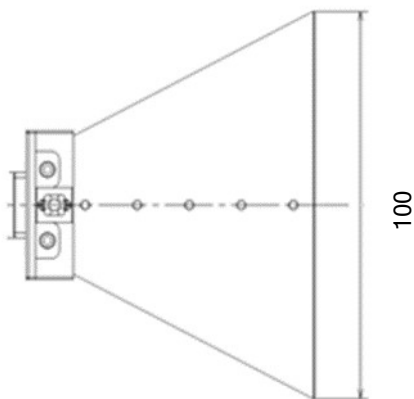
Specification

Model : MDH0218

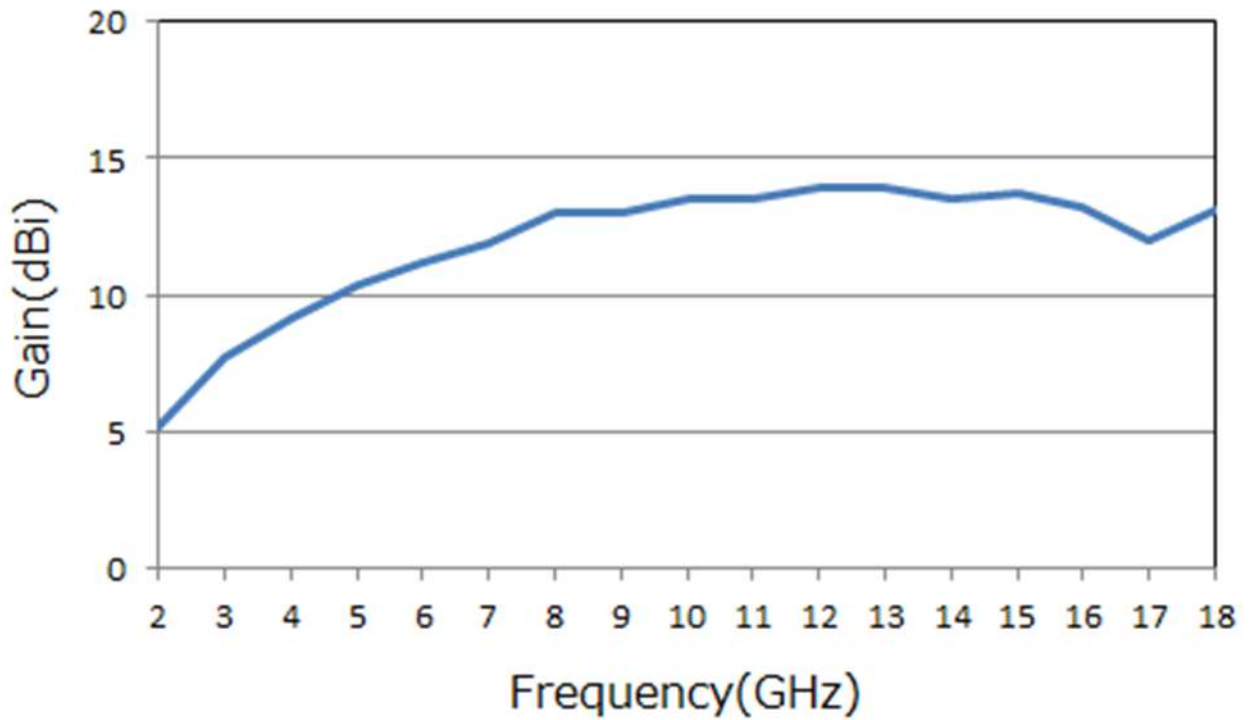


Frequency Range(GHz)	2 - 18
Gain(dBi)	5 - 14Typ.
Polarization	Linear
VSWR	3.0:1 Typ.
Connector	SMA - Female
Power Handling (W)	1W Max. CW
Net Weight (Kg)	0.4 Around
Size(mm)	100x60x110 Typ.

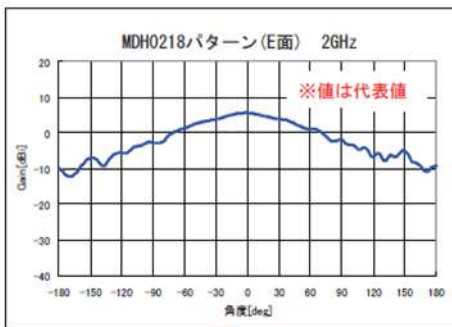
Outline Drawing (mm)



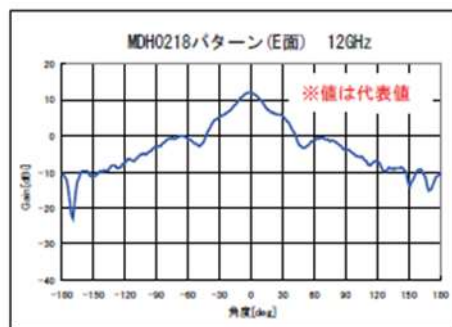
Antenna Gain (typ.)



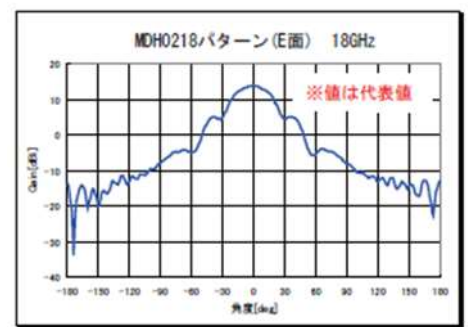
Radiation Patterns (typ.)



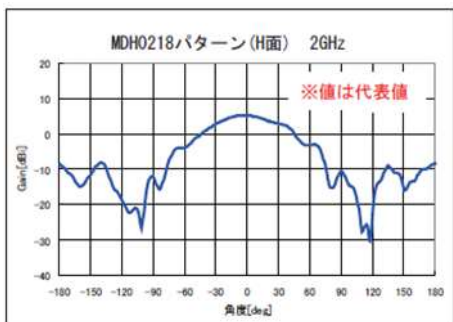
2GHz(E面)



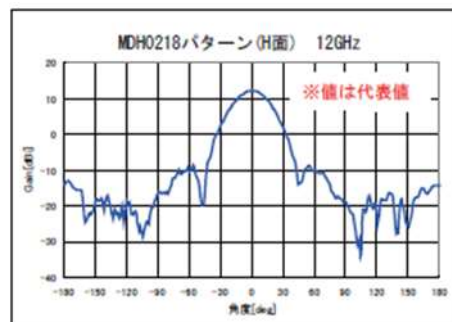
12GHz(E面)



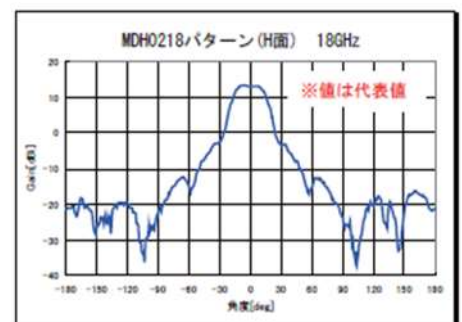
18GHz(E面)



2GHz(H面)



12GHz(H面)



18GHz(H面)